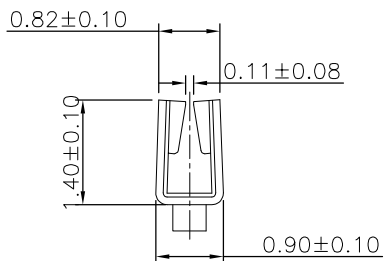
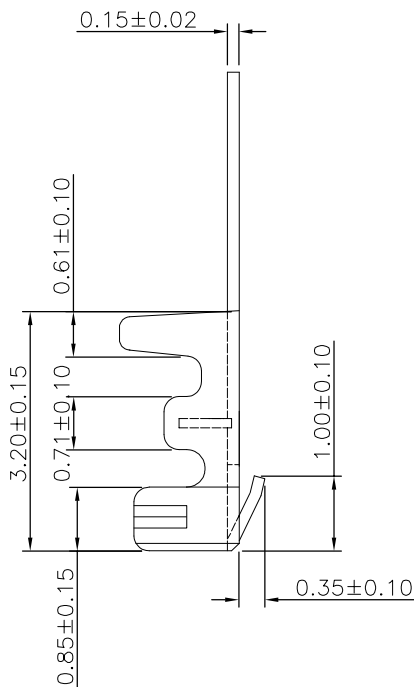
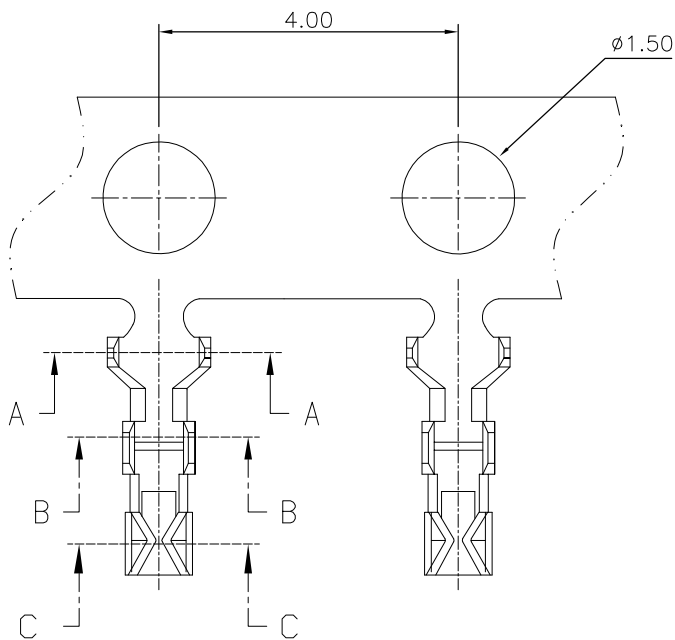
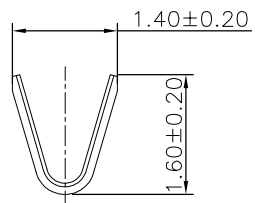


The product using material and processing must conform to the "WI-PZ-001"HSF technical standard control requirements

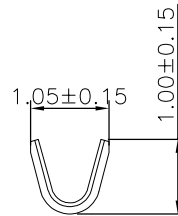
RoHS



SEC:C-C



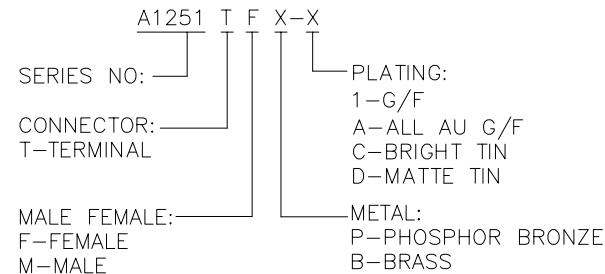
SEC:A-A



SEC:B-B

NOTE:

- 1.MATERIAL SPECIFICATION:
TERMINAL: PHOSPHOR BRONZE, AWG #28~ #32
- 2.PLATING SPECIFICATION:
TERMINAL: Sn PLATING OVERALL
- 3.MECHANICAL PERFORMANCE:
3-1.INSERTION FORCE: 0.5kgf MAX
3-2.REMOVAL FORCE: 0.5kgf MIN
3-3.MAINTAIN FORCE: 0.5KGF/PIN MIN
3-4.DURABILITY: 50 CYCLES.
- 4.ELECTRICAL PERFORMANCE:
4-1.CURRENT RATING: 1A
4-2.VOLTAGE RATING: 125V MAX
4-3.CONTACT RESISTANCE: 20mΩ Max.
4-4.INSULATION RESISTANCE: 100MΩ MIN
4-5.DIELECTRIC WITHSTANDING VOLTAGE: 500V AC Min
- 5.ENVIRONMENTAL PERFORMANCE:
OPERATING TEMPERATURE: -25°C~+85°C.
- 6.PACKAGE SPEC:PAPER PLATE
- 7.P/N ORDER:



REV.	REVISION RECORD	DATE	UNIT:mm	GENERAL TOLERANCES		SCALE:	NAME	DATE	PART.NO:	DWG.NO:	 WanLian Technology Co., Ltd
A0	NEW RELEASE	21.01.13		LINEAR	ANGLES	1:1	Wang_jr	21.01.13	A1251TFX-X	ENDE05	
			0.00±0.25	X'±3'	DESIGNER	Han_Gao	21.01.13	TITLE:		REV: A0	SHEET: 1/1
			0.00±0.10	X'X' ±2'	DRAWN	Zijun_Huang	21.01.13	Pitch1.25mm FEMALE Terminal			